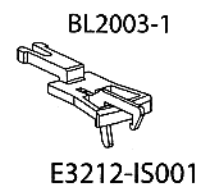
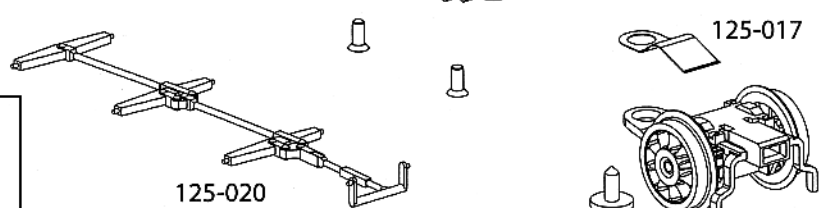
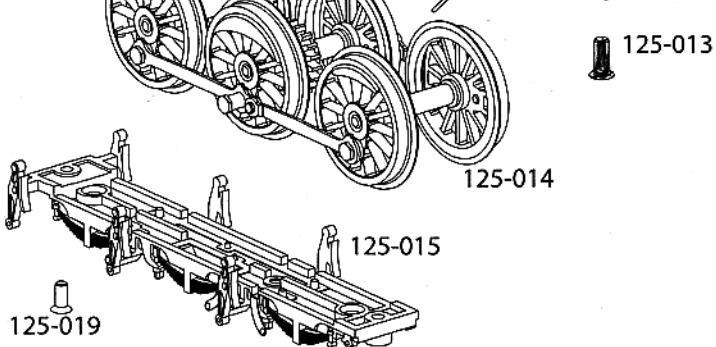
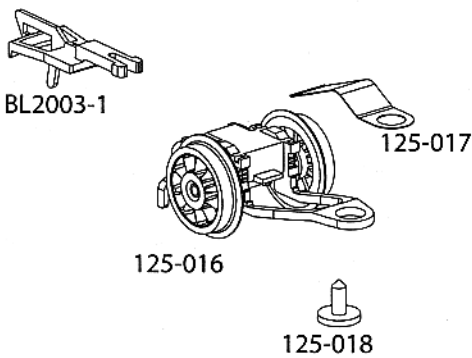
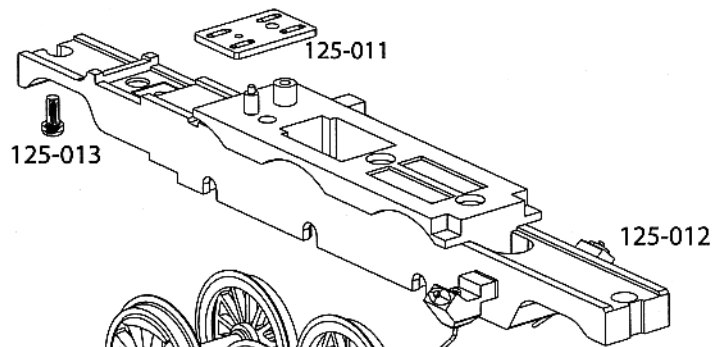
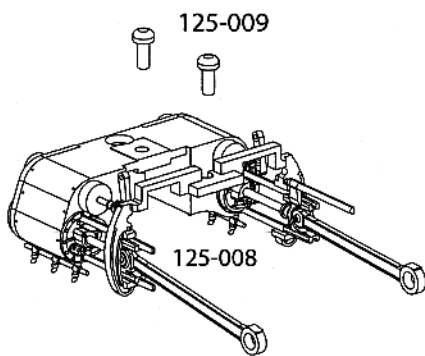
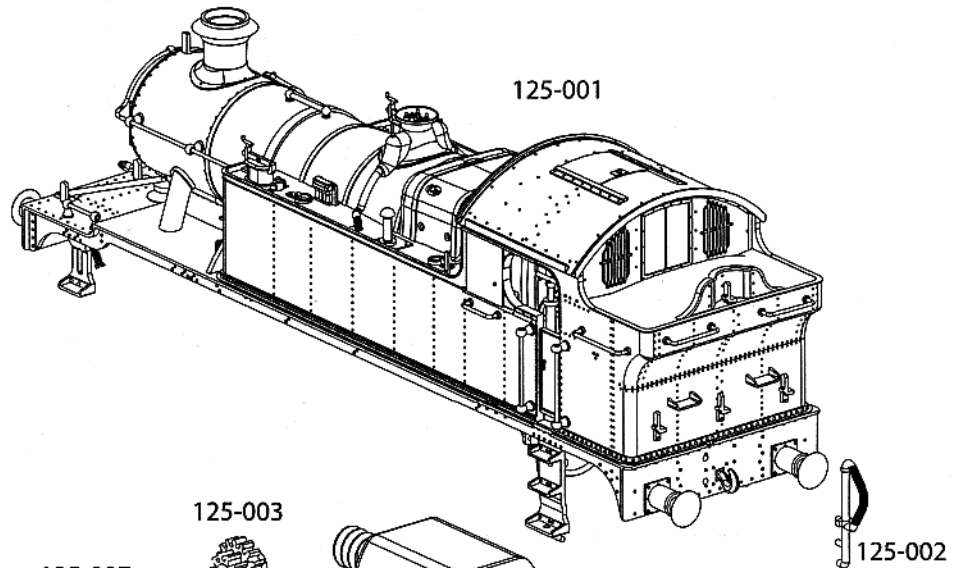


# CLASS 45XX LOCOMOTIVE

**Please Note**

This type of Drive requires be running-in!

Run for approximately one hour to allow working parts to bed in. Lightly oil the motor, bearings and gears when required.



**Important!**

When ordering any replacement parts please ensure you quote the appropriate catalogue number of your Bachmann Locomotive in addition to the number of the part required